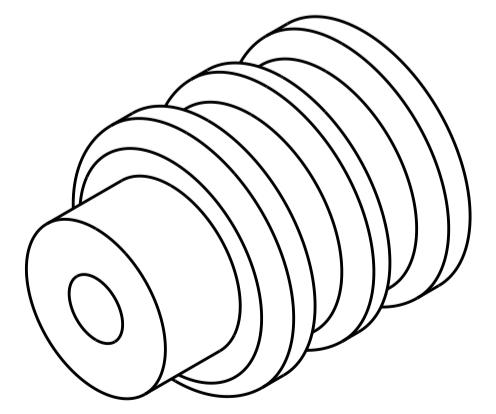
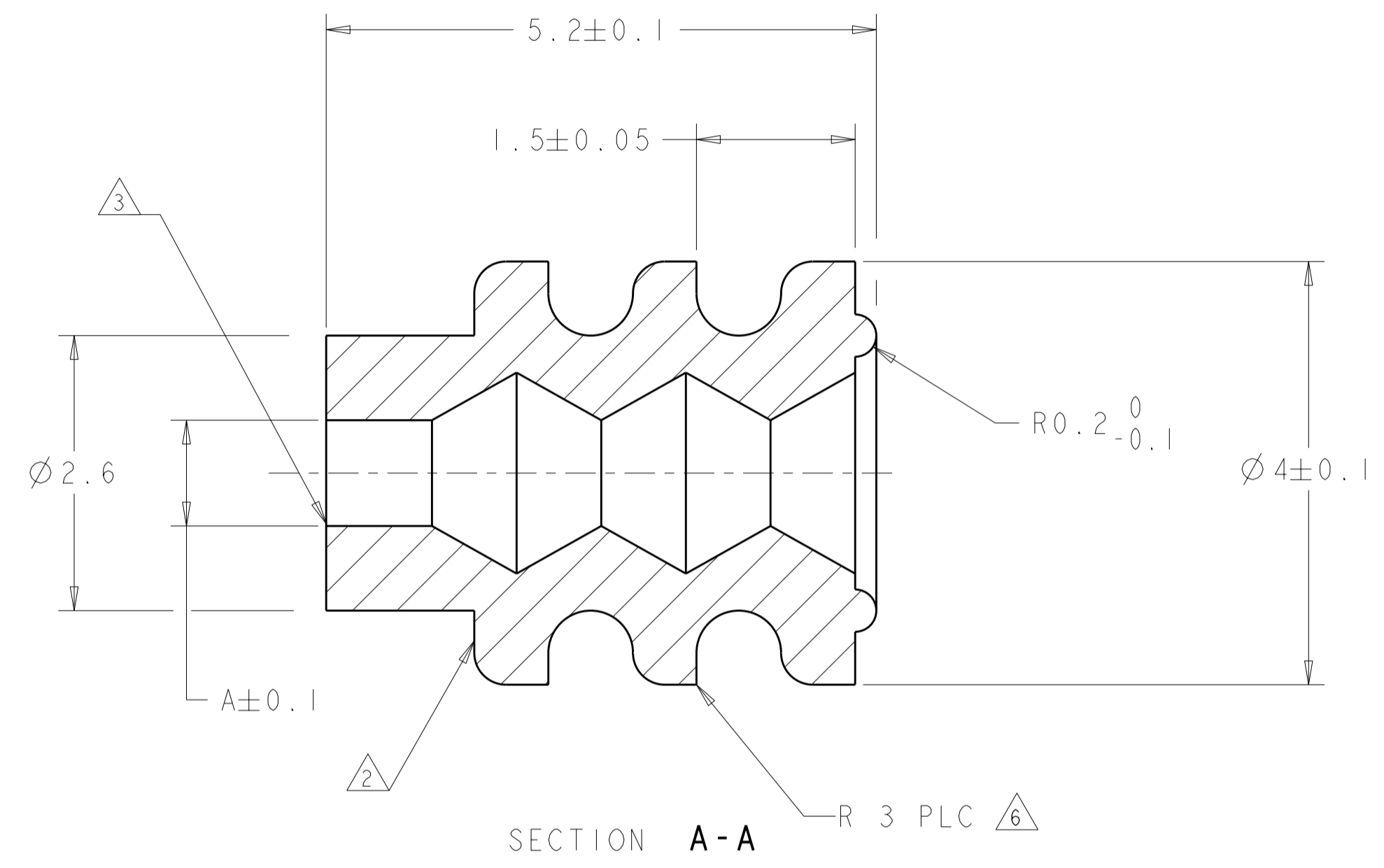
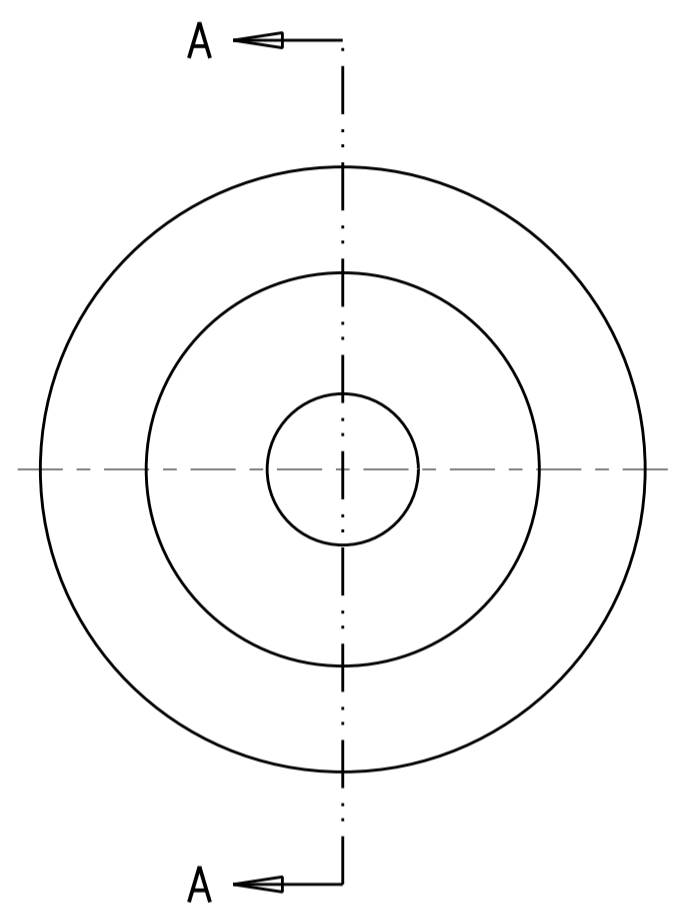


THIS DRAWING IS UNPUBLISHED. RELEASED FOR PUBLICATION 20
 © COPYRIGHT 20 BY - ALL RIGHTS RESERVED.

LOC	DIST	REVISIONS					
CM	00	P	LTR	DESCRIPTION	DATE	DWN	APVD
		D		REVISED PER ECO-11-017731	31AUG11	JR	TM

1. FLASH ALLOWANCE TO BE 0.05 MAX HIGH x 0.03 MAX THICK.
2. FLASH NOT PERMITTED IN THIS AREA.
3. FLASH MAY BE PRESENT ON THIS EDGE. NO FORM, FIT OR FUNCTION ISSUES IF LESS THAN 0.21 LONG.
4. INSULATION DIAMETER MUST BE MET REGARDLESS OF WHICH WIRE SIZE IS USED.
5. THIS SEAL IS NOT COMPATIBLE WITH 26-30 AWG CONTACTS. 26 AWG WIRE MUST BE USED WITH 22-26 AWG CONTACTS.
6. OPTIONAL CONSTRUCTION.



3 DIMENSIONAL VIEW
SCALE 10:1

35.45 mm ³	BLUE	1.02-2.11	18-26 AWG	1.0	794758-1
VOLUME	COLOR	INSULATION DIAMETER 4	WIRE RANGE 4	DIM A	PART NUMBER

THIS DRAWING IS A CONTROLLED DOCUMENT.		DWN K. WHITAKER 15FEB2001	TE Connectivity SINGLE WIRE SEAL, MINI UNIVERSAL MATE-N-LOK(TM)		
DIMENSIONS: mm		CHK C. JONES 15FEB2001			
TOLERANCES UNLESS OTHERWISE SPECIFIED:		APVD C. JONES 15FEB2001	NAME	SIZE	CAGE CODE
0 PLC ±-	1 PLC ±.2	PRODUCT SPEC	DRAWING NO		RESTRICTED TO
2 PLC ±-	3 PLC ±-	APPLICATION SPEC	A200779C-794758		-
4 PLC ±-	ANGLES ±2°	FINISH	WEIGHT	SCALE 20:1	SHEET 1 OF 1
MATERIAL SILICON RUBBER		CUSTOMER DRAWING	REV D		